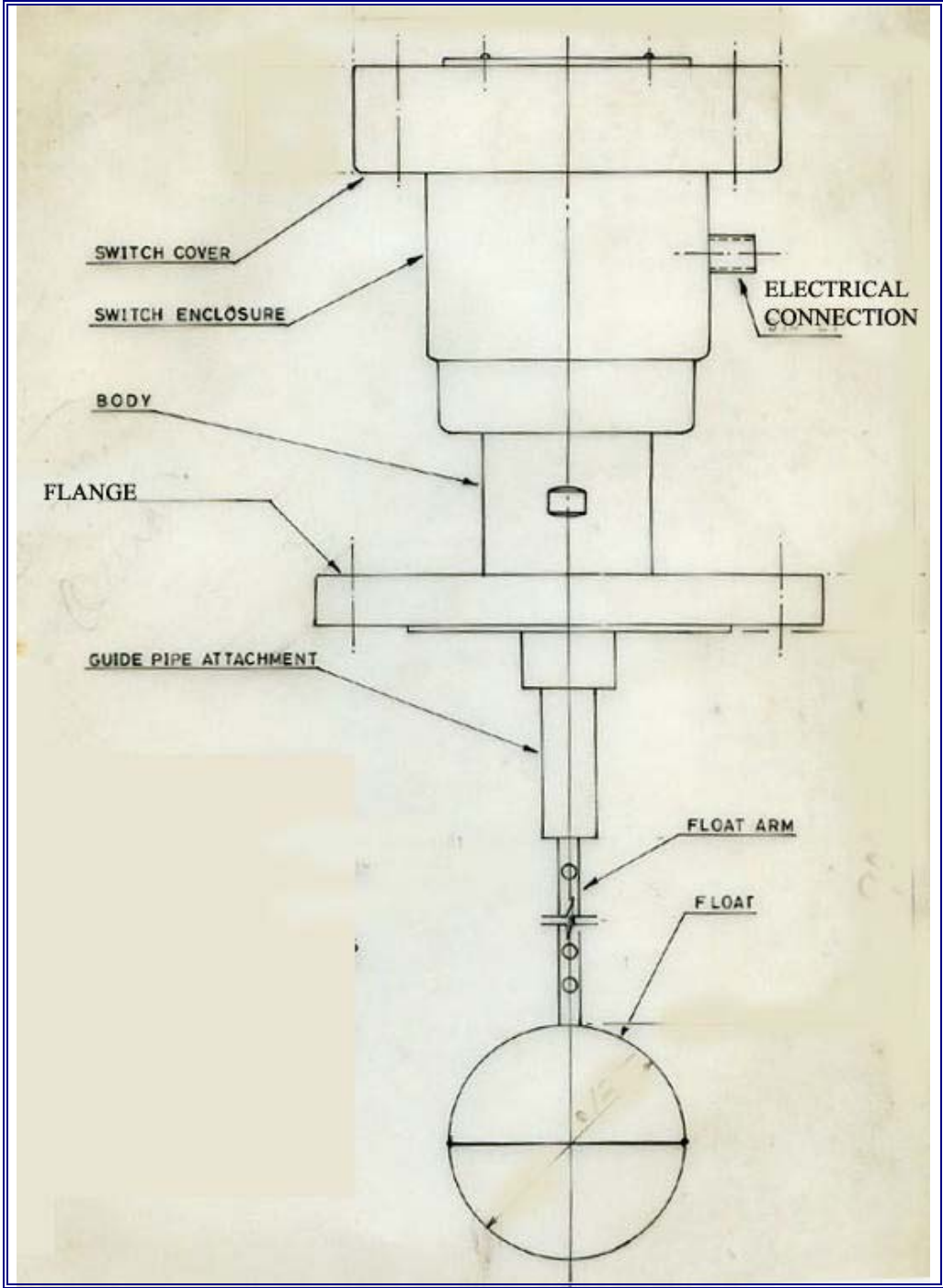
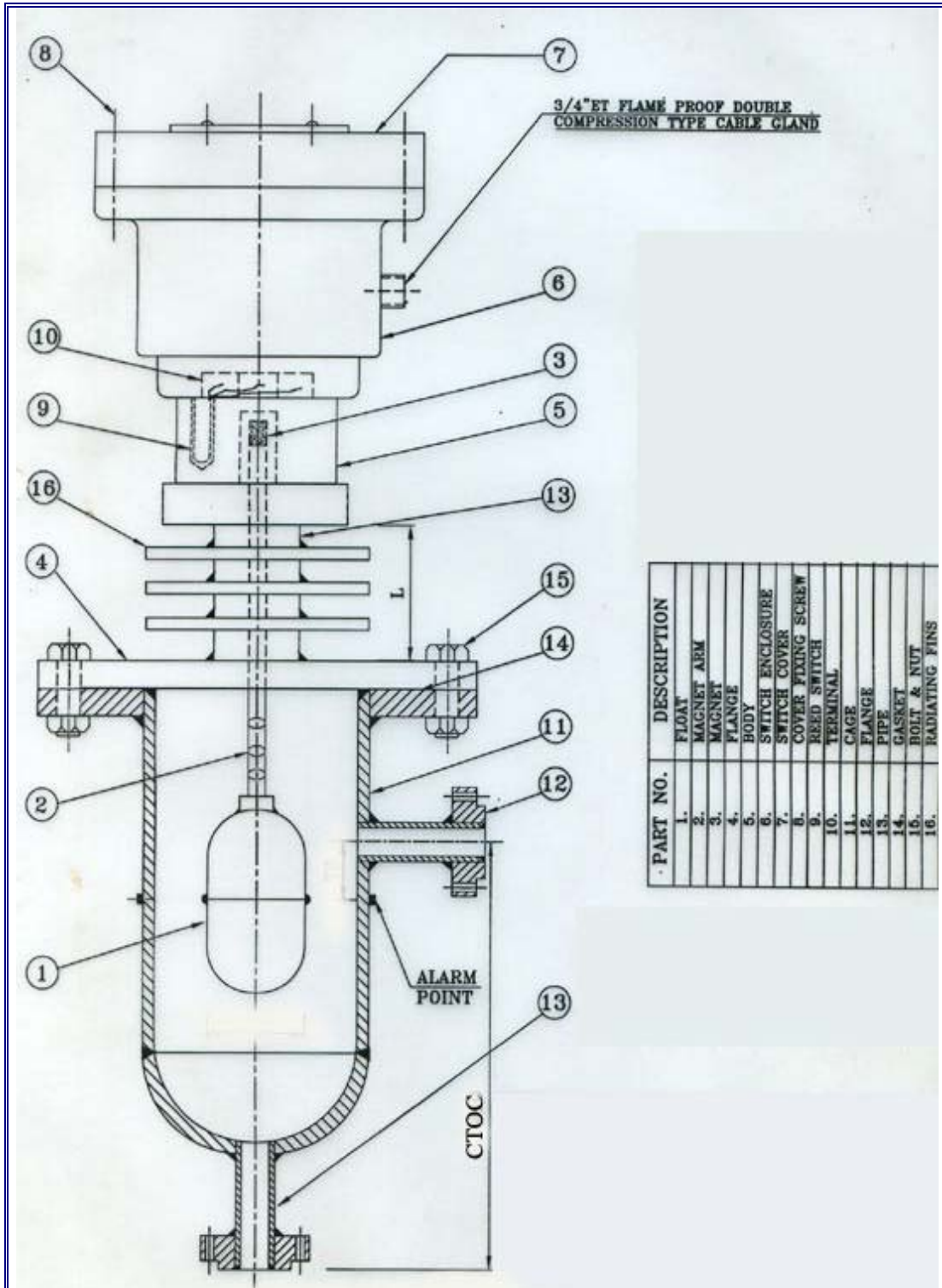


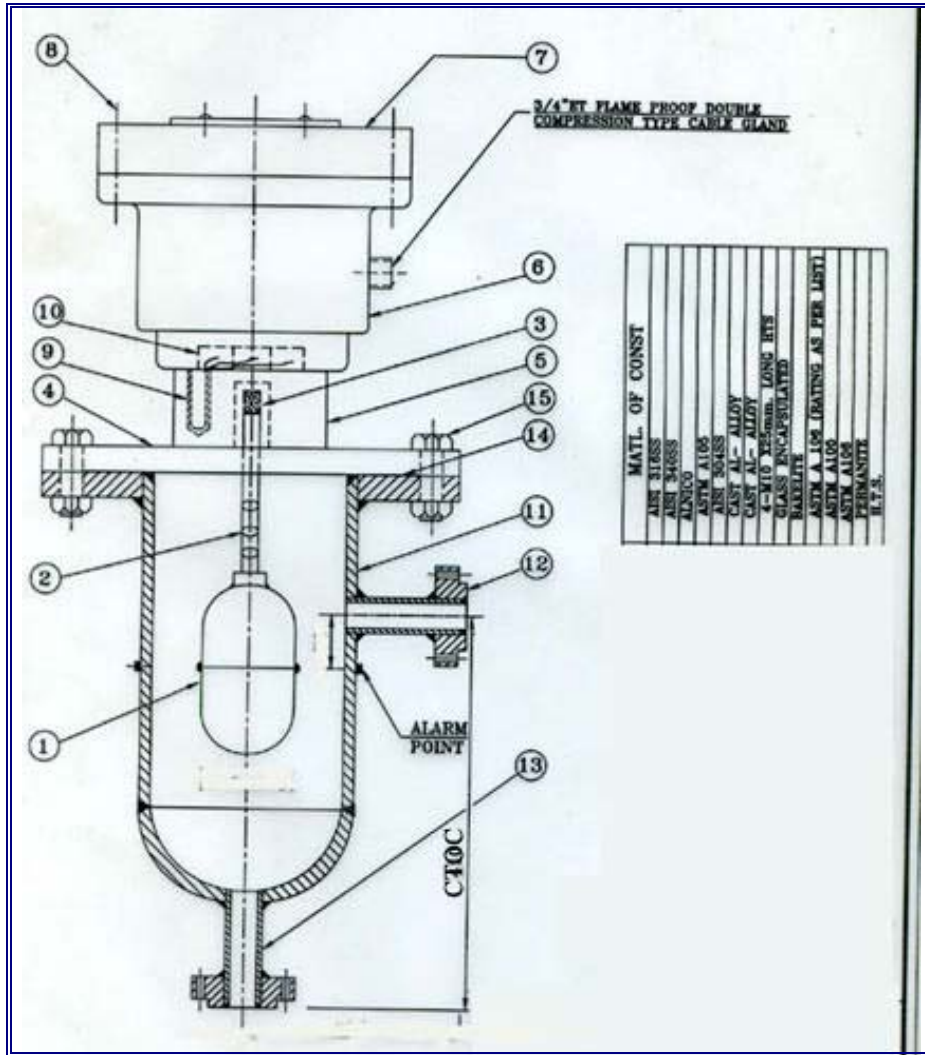
Schematic Drawing (Flame Proof Float Type – Reed Switch)



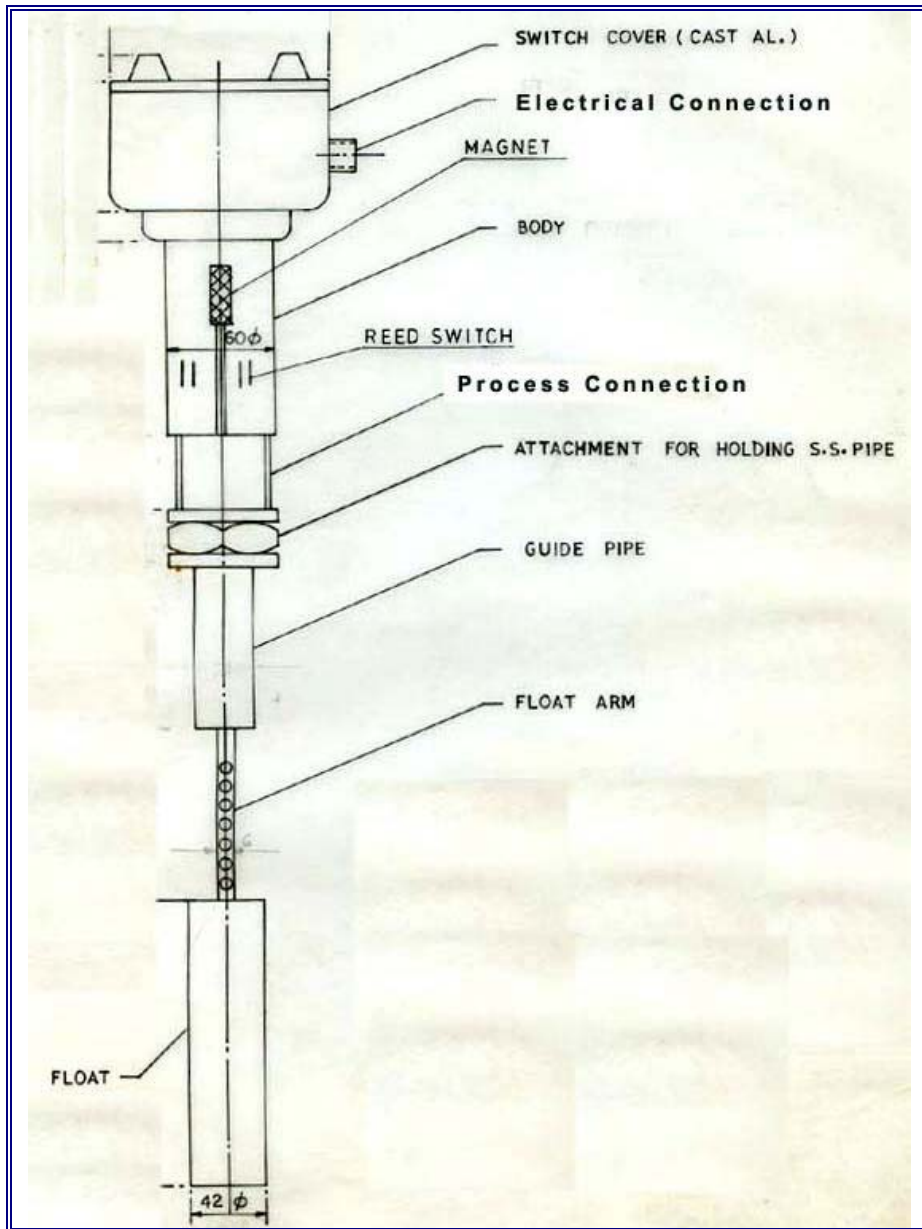
Schematic Drawing (Flame Proof External Cage Float Type For High Pressure & Temp – Reed Switch)



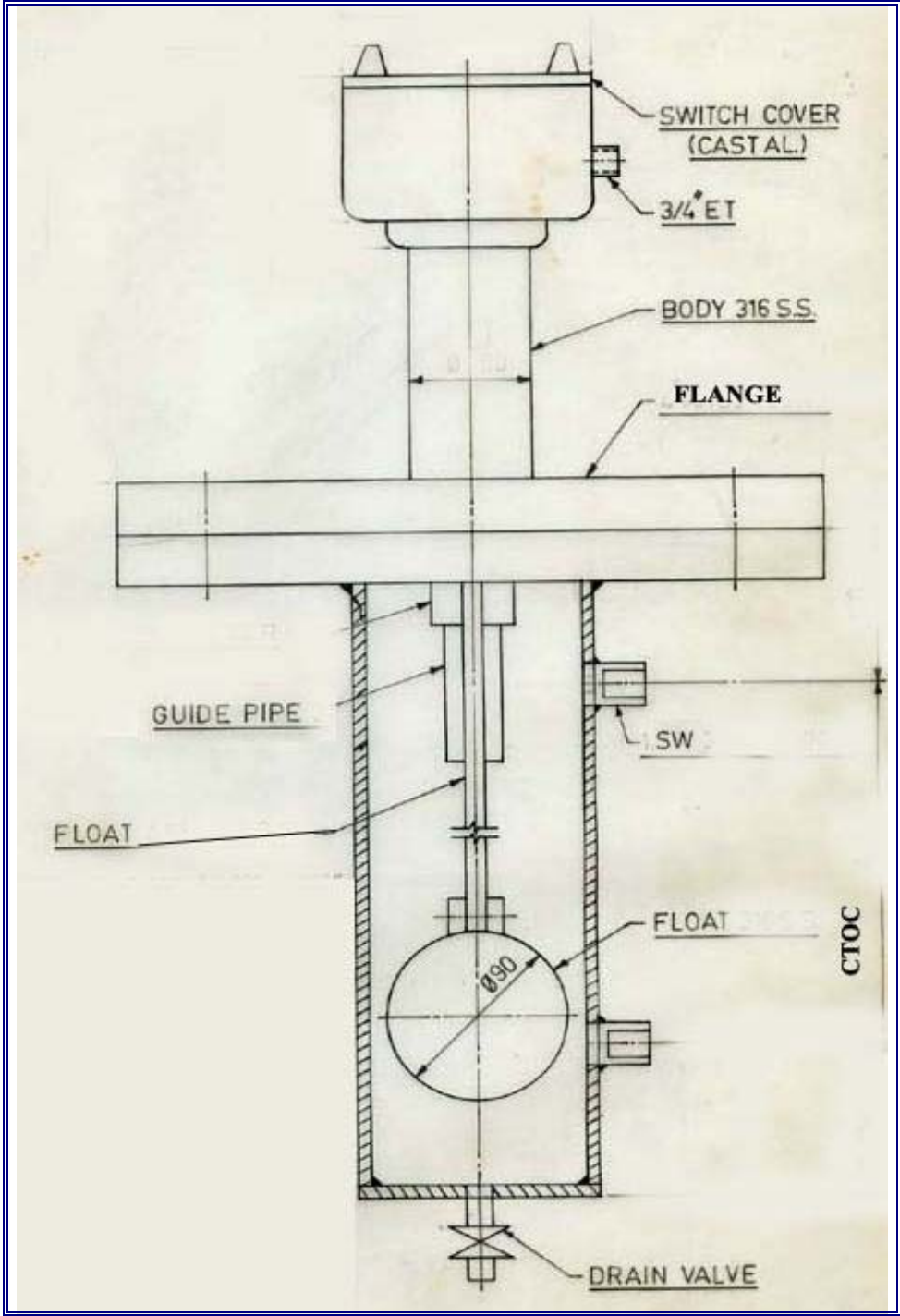
Schematic Drawing (Flame Proof External Cage Float Type – Reed Switch)



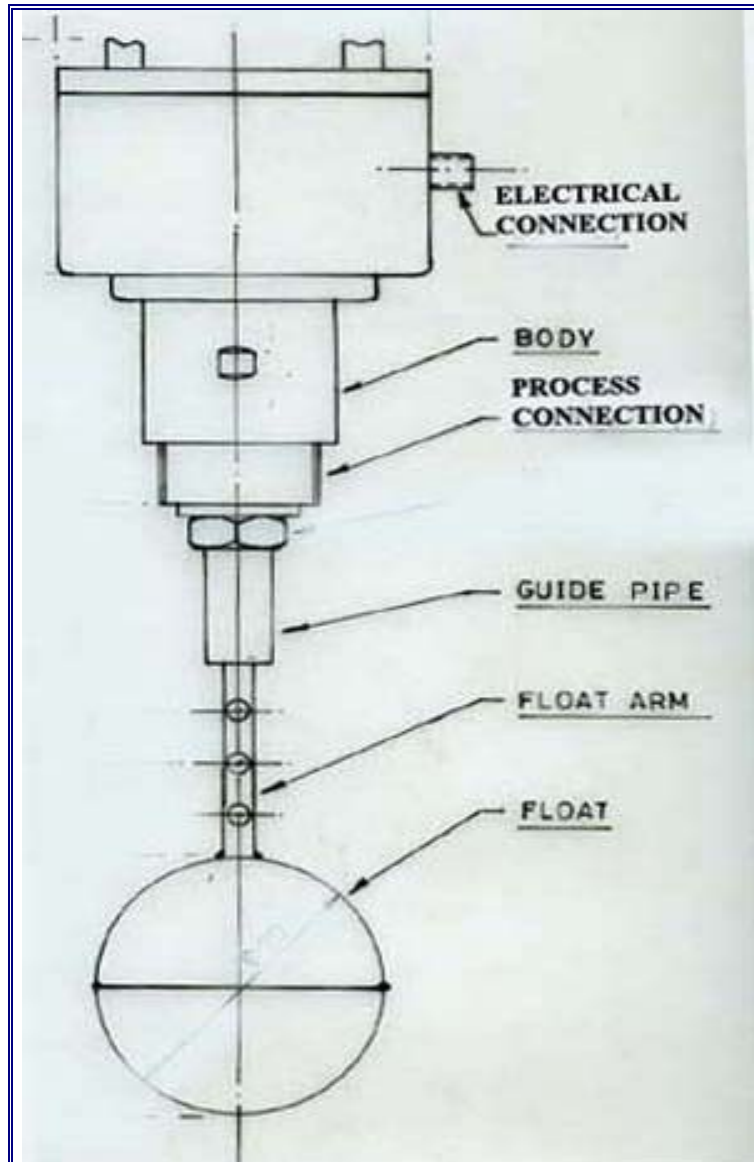
Schematic Drawing (Float Type – Reed Switch)



Schematic Drawing (External Cage Float Type – Reed Switch)



Schematic Drawing (Float Type – Reed Switch)



D. K. INSTRUMENTS PVT. LTD.

An ISO 9001:2000 Certified Company

76/2, Selimpur Road, Dhakuria, Kolkata – 700 031.

Ph. No.: 91-33-2415 1310 / 2405 0944, Fax: 91-33-2415 2311

E-mail: dkinst@vsnl.net, Web Site: www.dkstruments.com

