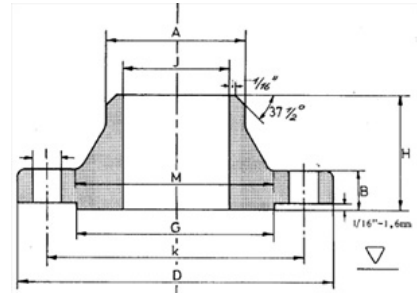


# Weldneck Flanges

## 150#

* Diameter J to be specified.										
Nominal Pipe Size	Outside Diam	Thickness Min. B	Length thru Hub H	Diam. Hub at Bevel A	Diam. at Base of Hub M	O.D. Raised Face G	Number of Holes	Diam of Holes I	Bolt Circle Diam. K.	Approx Weight Kg
1/2"	90	11.6	48	21.3	30	35.1	4	15.7	60.5	0.5
3/4"	100	13.2	53	26.7	38	42.9	4	15.7	69.9	0.7
1"	110	14.7	56	33.5	49	50.8	4	15.7	79.2	1
1.1/4"	115	16.3	58	42.2	59	63.5	4	15.7	88.9	1.4
1.1/2"	125	17.9	62	48.3	65	73.2	4	15.7	98.6	1.8
2"	150	19.5	64	60.5	78	91.9	4	19.1	120.7	2.6
2.1/2"	180	22.7	70	73.2	90	104.6	4	19.1	139.7	4.2
3"	190	24.3	70	88.9	108	127	4	19.1	152.4	5
3.1/2"	215	24.3	72	101.6	122	139.7	8	19.1	177.8	6.1
4"	230	24.3	77	114.3	135	157.2	8	19.1	190.5	7
5"	255	24.3	89	141.2	164	185.7	8	22.4	215.9	8.6
6"	280	25.9	89	168.4	192	215.9	8	22.4	241.3	10.6
8"	345	29	102	219.2	246	269.7	8	22.4	298.5	17.6
10"	405	30.6	102	273.1	305	323.8	12	25.4	362	24
12"	485	32.2	115	323.9	365	381	12	25.4	431.8	37
14"	535	35.4	127	355.6	400	412.8	12	28.4	476.3	49
16"	595	37	127	406.4	457	469.9	16	28.4	539.8	61
18"	635	40.1	138	457.2	505	533.4	16	31.8	577.9	68
20"	700	43.3	143	508	559	584.2	20	31.8	635	85
24"	815	48.1	151	609.6	663	692.2	20	35.1	749.3	115

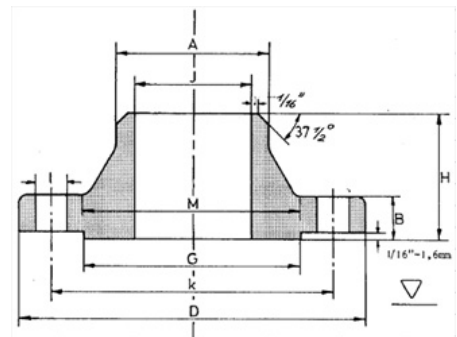
Note: raised face are included in flange thickness  
All dimensions are in mm



## 300#

* Diameter J to be specified.										
Nominal Pipe Size	Outside Diam	Thickness Min. B	Length thru Hub H	Diam. Hub at Bevel A	Diam. at Base of Hub M	O.D. Raised Face G	Number of Holes	Diam of Holes I	Bolt Circle Diam. K.	Approx Weight Kg
1/2"	95	14.7	53	21.3	38	35	4	15.7	66.5	
3/4"	115	16.3	58	26.7	48	42.9	4	19	82.5	1.3
1"	125	17.9	62	33.5	54	50.8	4	19	88.9	1.6
1.1/4"	135	19.5	66	42.2	64	63.5	4	19	98.5	2.1
1.1/2"	155	21.1	69	48.3	70	73.1	4	22.3	114.3	3
2"	165	22.7	70	60.4	84	91.9	8	19	127	3.4
2.1/2"	190	25.9	77	73.1	100	104.6	8	22.3	149.3	5.2
3"	210	29	80	88.9	117	127	8	22.3	168.1	7
3.1/2"	230	30.6	81	101.6	133	139.7	8	22.3	184.1	8.7
4"	255	32.2	86	114.3	146	157.2	8	22.3	200.1	11.2
5"	280	35.4	99	141.2	178	185.6	8	22.3	234.9	16
6"	320	37	99	168.4	206	215.9	12	22.3	269.7	20
8"	380	41.7	112	219.2	260	269.7	12	25.4	330.2	30
10"	445	48.1	118	273	321	323.8	16	28.6	387.3	43
12"	520	51.3	130	323.8	375	381	16	31.7	450.8	62
14"	585	54.4	143	355.6	425	412.7	20	31.7	514.3	86
16"	650	57.6	146	406.4	483	469.9	20	35	571.5	106
18"	710	60.8	159	457.2	533	533.4	24	35	628.6	131
20"	775	64	162	508	587	584.2	24	35	685.8	158
24"	915	70.3	169	609.6	702	692.1	24	41.1	812.8	230

Note: raised face are included in flange thickness



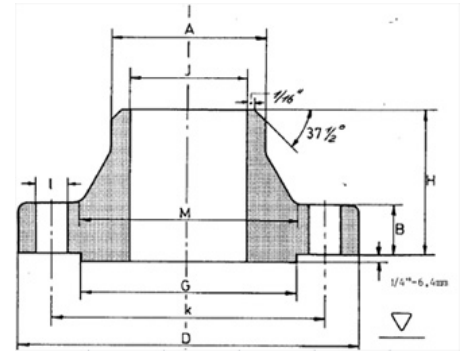
All dimensions are in mm

600#

\* Diameter J to be specified.

Nominal Pipe Size	Outside Diam	Thickness Min. B	RF height	Length thru Hub H	Diam. Hub at Bevel A	Diam. at Base of Hub M	O.D. Raised Face G	Number of Holes	Diam of Holes I	Bolt Circle Diam. K.	Approx Weight Kg
1/2"	95	14.3	7	52	21.3	38	34.9	4	15.7	66.5	0.9
3/4"	115	15.9	7	57	26.7	48	42.9	4	19.1	82.6	1.5
1"	125	17.5	7	62	33.5	54	50.8	4	19.1	88.9	1.8
1.1/4"	135	20.7	7	67	42.2	64	63.5	4	19.1	98.6	2.5
1.1/2"	155	22.3	7	70	48.3	70	73	4	22.4	114.3	3.5
2"	165	25.4	7	73	60.5	84	92.1	8	19.1	127	4.4
2.1/2"	190	28.6	7	79	73.2	100	104.8	8	22.4	149.4	6.4
3"	210	31.8	7	83	88.9	117	127	8	22.4	168.1	8.6
3.1/2"	230	35	7	86	101.6	133	139.7	8	25.4	184.2	11.7
4"	275	38.1	7	102	114.3	152	157.2	8	25.4	215.9	18
5"	330	44.5	7	114	141.2	189	185.7	8	28.4	266.7	30
6"	355	47.7	7	117	168.4	222	215.9	12	28.4	292.1	35
8"	420	55.6	7	133	219.2	273	269.9	12	31.8	349.3	54
10"	510	63.5	7	152	273.1	343	323.8	16	35.1	431.8	87
12"	560	66.7	7	156	323.9	400	381	20	35.1	489	103
14"	605	69.9	7	165	355.6	432	412.8	20	38.1	527.1	122
16"	685	76.2	7	178	406.4	495	469.9	20	41.1	603.3	170
18"	745	82.6	7	184	457.2	546	533.4	20	44.5	654.1	204
20"	815	88.9	7	190	508	610	584.2	24	44.5	723.9	254
24"	940	101.6	7	203	609.6	718	692.2	24	50.8	838.2	358

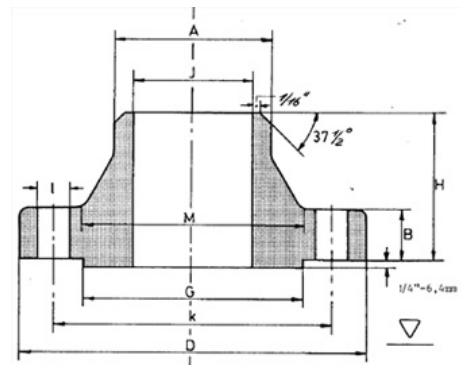
All dimensions are in mm



900#

\* Diameter J to be specified.

Nominal Pipe Size	Outside Diam	Thickness Min. B	RF height	Length thru Hub H	Diam. Hub at Bevel A	Diam. at Base of Hub M	O.D. Raised Face G	Number of Holes	Diam of Holes I	Bolt Circle Diam. K.	Approx Weight Kg
1/2"	120	22.3	7	60	21.3	38	35	4	22.3	82.5	2.3
3/4"	130	25.4	7	77	26.7	44	42.9	4	22.3	88.9	2.7
1"	150	28.6	7	73	33.4	52	50.8	4	25.4	101.6	4.1
1.1/4"	160	28.6	7	73	42.2	64	63.5	4	25.4	111.2	4.5
1.1/2"	180	31.8	7	83	48.3	70	73.1	4	28.4	123.9	5.9
2"	215	38.1	7	102	60.3	105	91.9	8	25.4	165.1	11.3
2.1/2"	245	41.3	7	105	73	124	104.6	8	28.4	190.5	16.3
3"	240	38.1	7	102	88.9	127	127	8	25.4	190.5	14
4"	290	44.5	7	114	114.3	159	157.2	8	31.7	234.9	23
5"	350	50.8	7	127	141.2	190	185.6	8	35	279.4	38
6"	380	55.6	7	140	168.4	235	215.9	12	31.7	317.5	48
8"	470	63.5	7	162	219.2	298	269.7	12	38.1	393.7	82
10"	545	69.9	7	184	273	368	323.8	16	38.1	469.9	119
12"	610	79.4	7	200	323.8	419	381	20	38	533.4	157
14"	640	85.8	7	213	355.6	451	412.7	20	41.1	558.8	180
16"	705	88.9	7	216	406.4	508	469.9	20	44.4	615.9	217
18"	785	101.6	7	229	457.2	565	533.4	20	50.8	685.8	298
20"	855	108	7	248	508	622	584.2	20	53.8	749.3	362



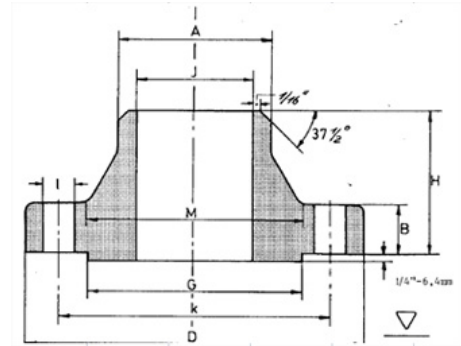
24"	1040	139.7	7	292	609.6	749	692.1	20	66.5	901.7	665
All dimensions are in mm											

### 1500#

Nominal Pipe Size	Outside Diam	Thickness Min. B	RF height	Length thru Hub H	Diam. Hub at Bevel A	Diam. at Base of Hub M	O.D. Raised Face G	Number of Holes	Diam of Holes I	Bolt Circle Diam. K.	Approx Weight Kg
1/2"	120	22.3	7	60	21.3	38	35	4	22.3	82.5	2.3
3/4"	130	25.4	7	70	26.7	44	42.9	4	22.3	88.9	2.7
1"	150	28.6	7	73	33.4	52	50.8	4	25.4	101.6	4.1
1.1/4"	160	28.6	7	73	42.2	64	63.5	4	25.4	111.2	4.5
1.1/2"	180	31.8	7	83	48.3	70	73.1	4	28.4	123.9	5.9
2"	215	38.1	7	102	60.3	105	91.9	8	25.4	165.1	11.3
2.1/2"	245	41.3	7	105	73	124	104.6	8	28.4	190.5	16.3
3"	265	47.7	7	117	88.9	133	127	8	31.7	203.2	21.8
4"	310	54	7	124	114.3	162	157.2	8	35	241.3	33
5"	375	73.1	7	156	141.2	197	185.6	8	41.1	292.1	59
6"	395	82.6	7	171	168.4	229	215.9	12	38.1	317.5	75
8"	485	92.1	7	213	219.2	292	269.7	12	44.4	393.7	125
10"	585	108	7	254	273	368	323.8	12	50.8	482.6	206
12"	675	123.9	7	283	323.8	451	381	16	53.8	571.5	313
14"	750	133.4	7	298	355.6	495	412.7	16	60.4	635	380
16"	825	146.1	7	311	406.4	552	469.9	16	66.5	704.8	485
18"	915	162	7	327	457.2	597	533.4	16	73.1	774.7	644
20"	985	177.8	7	356	508	641	584.2	16	79.2	831.8	775
24"	1170	203.2	7	406	609.6	762	692.1	16	91.9	990.6	1232

\* Diameter J to be specified.

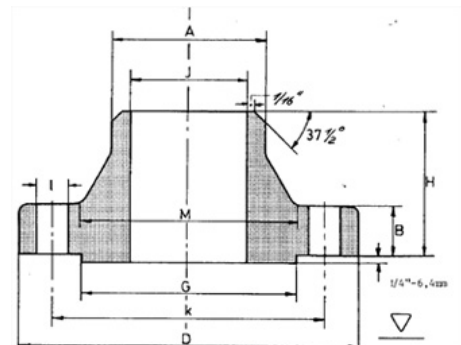
All dimensions are in mm



### 2500#

Nominal Pipe Size	Outside Diam	Thickness Min. B	RF height	Length thru Hub H	Diam. Hub at Bevel A	Diam. at Base of Hub M	O.D. Raised Face G	Number of Holes	Diam of Holes I	Bolt Circle Diam. K.	Approx Weight Kg
1/2"	135	30.2	7	73	21.3	43	35.1	4	22.4	88.9	3.2
3/4"	140	31.8	7	79	26.7	51	42.9	4	22.4	95.3	3.7
1"	160	35	7	89	33.5	57	50.8	4	25.4	108	5.3
1.1/4"	185	38.1	7	95	42.2	73	63.5	4	28.4	130	7.8
1.1/2"	205	44.5	7	111	48.3	79	73.2	4	31.8	146.1	11
2"	235	50.9	7	127	60.5	95	91.9	8	28.4	171.5	17
2.1/2"	265	57.2	7	143	73.2	114	104.6	8	31.8	196.9	24
3"	305	66.7	7	168	88.9	133	127	8	35.1	228.6	37
4"	355	76.2	7	190	114.3	165	157.2	8	41.1	273.1	56
5"	420	92.1	7	229	141.2	203	185.7	8	47.8	323.9	93
6"	485	108	7	273	168.4	235	215.9	8	53.8	368.3	143
8"	550	127	7	318	219.2	305	269.7	12	53.8	438.2	215
10"	675	165.1	7	419	273	375	323.9	12	66.5	539.8	406
12"	760	184.2	7	464	323.9	441	381	12	73.2	619.3	572

All dimensions are in mm



\* There will may be typical error