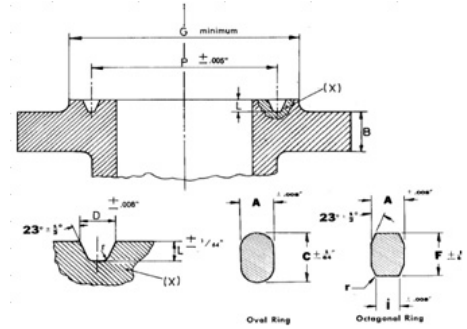


# Ring Joint Flanges

## 150#

Nominal Pipe Size	raised face Ring Joint (G)	Pitch Diameter Groove (P)	Depth of Groove L	Radius at Bottom r	Width of Groove D	Width of Ring A	Height of Oval Ring C	Height of Octagonal Ring F	Width of Flat I	Ring Number R
1"	63.5	47.6	6.35	0.8	8.7	7.9	14.3	12.7	5.2	15
1.1/4"	73.2	57.2	6.35	0.8	8.7	7.9	14.3	12.7	5.2	17
1.1/2"	82.5	65.1	6.35	0.8	8.7	7.9	14.3	12.7	5.2	19
2"	101.6	82.6	6.35	0.8	8.7	7.9	14.3	12.7	5.2	22
2.1/2"	120.7	101.6	6.35	0.8	8.7	7.9	14.3	12.7	5.2	25
3"	133.4	114.3	6.35	0.8	8.7	7.9	14.3	12.7	5.2	29
3.1/2"	153.9	131.8	6.35	0.8	8.7	7.9	14.3	12.7	5.2	33
4"	171.5	149.2	6.35	0.8	8.7	7.9	14.3	12.7	5.2	36
5"	193.5	171.5	6.35	0.8	8.7	7.9	14.3	12.7	5.2	40
6"	218.9	193.7	6.35	0.8	8.7	7.9	14.3	12.7	5.2	43
8"	273.1	247.7	6.35	0.8	8.7	7.9	14.3	12.7	5.2	48
10"	330.2	304.8	6.35	0.8	8.7	7.9	14.3	12.7	5.2	52
12"	406.4	381	6.35	0.8	8.7	7.9	14.3	12.7	5.2	56
14"	425.5	396.9	6.35	0.8	8.7	7.9	14.3	12.7	5.2	59
16"	482.6	454	6.35	0.8	8.7	7.9	14.3	12.7	5.2	64
18"	546.1	517.5	6.35	0.8	8.7	7.9	14.3	12.7	5.2	68
20"	596.9	558.8	6.35	0.8	8.7	7.9	14.3	12.7	5.2	72
24"	711.2	673.1	6.35	0.8	8.7	7.9	14.3	12.7	5.2	76

All dimensions are in mm

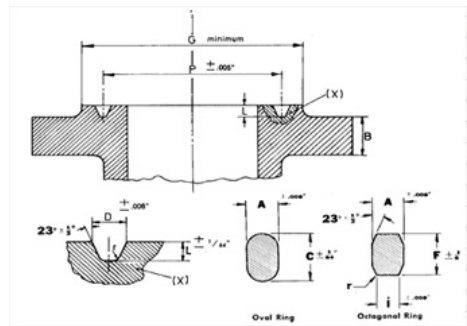


## 300# - 600#

Nominal Pipe Size	Outside Diameter D	Diam. of Bore J	Thickness Min. B	Length thru Hub H	Diam. Hub at Bevel A	O.D. of Raised Face G	Number of Holes	Diam of Holes I	Bolt Circle Diameter K	Approx Weight Kg
1"	125	25.4	19.5	62	54	50.8	4	19	88.9	4.5
1.1/4"	135	31.7	21.1	66	63.5	63.5	4	19	98.4	5.4
1.1/2"	155	38.1	22.7	69	69.8	73	4	22.2	114.3	6.8
2"	165	50.8	24.3	69	82.5	92.1	8	19	127	8.6
2.1/2"	190	63.5	27.4	77	100	104.8	8	22.2	149.2	11.7
3"	210	76.2	30.6	80	117.5	127	8	22.2	168.3	15.4
3.1/2"	230	88.9	32.2	81	133.3	139.7	8	22.2	184.1	19.5
4"	255	101.6	33.8	86	146	157.2	8	22.2	200	28
5"	280	127	37	99	177.8	185.7	8	22.2	234.9	37.6
6"	320	152.4	38.6	99	206.4	215.9	12	22.2	269.9	47.5
8"	380	203.2	43.3	112	260.3	269.9	12	25.4	330.2	68
10"	445	254	49.7	118	320.7	323.8	16	28.6	387.3	95
12"	520	304.8	52.8	130	374.6	381	16	31.7	450.8	124
14"	585	355.6	56	143	425.4	412.7	20	31.7	514.3	130
16"	650	406.4	59.2	146	482.6	469.9	20	34.9	571.5	160
18"	710	457.2	62.4	159	533.4	533.4	24	34.9	628.6	185
20"	775	508	65.5	162	587.4	584.2	24	34.9	685.8	210
24"	915	609.6	71.9	169	701.7	692.1	24	41.3	812.8	316

Note: raised face are included in flange thickness

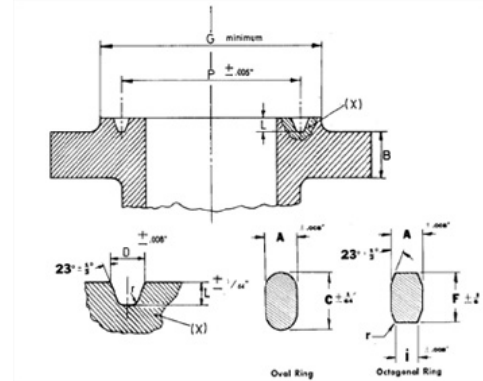
All dimensions are in mm



**900#**

Nominal Pipe Size	raised face Ring Joint (G)	Pitch Diameter Groove (P)	Depth of Groove L	Radius at Bottom r	Width of Groove D	Width of Ring A	Height of Oval Ring C	Height of Octagonal Ring F	Width of Flat I	Ring Number R
1/2"	60.5	39.7	6.35	0.8	8.7	7.9	14.3	12.7	5.2	12
3/4"	66.5	44.5	6.35	0.8	8.7	7.9	14.3	12.7	5.2	14
1"	69.9	50.8	6.35	0.8	8.7	7.9	14.3	12.7	5.2	16
1.1/4"	79.2	60.3	6.35	0.8	8.7	7.9	14.3	12.7	5.2	18
1.1/2"	90.4	68.3	6.35	0.8	8.7	7.9	14.3	12.7	5.2	20
2"	124	95.3	7.9	0.8	11.9	11.1	17.5	15.88	7.7	24
2.1/2"	136.7	108	7.9	0.8	11.9	11.1	17.5	15.88	7.7	27
3"	155.4	123.8	7.9	0.8	11.9	11.1	17.5	15.88	7.7	31
4"	180.8	149.2	7.9	0.8	11.9	11.1	17.5	15.88	7.7	37
5"	215.9	181	7.9	0.8	11.9	11.1	17.5	15.88	7.7	41
6"	241.3	211.1	7.9	0.8	11.9	11.1	17.5	15.88	7.7	45
8"	307.8	269.9	7.9	0.8	11.9	11.1	17.5	15.88	7.7	49
10"	362	323.9	7.9	0.8	11.9	11.1	17.5	15.88	7.7	53
12"	419.1	381	7.9	0.8	11.9	11.1	17.5	15.88	7.7	57
14"	466.9	419.1	11.1	1.5	16.7	15.9	22.2	20.64	10.5	62
16"	523.9	469.9	11.1	1.5	16.7	15.9	22.2	20.64	10.5	66
18"	593.9	533.4	12.7	1.5	19.8	19	25.4	23.8	12.3	70
20"	647.7	584.2	12.7	1.5	19.8	19	25.4	23.8	12.3	74
24"	771.7	692.2	15.9	2.3	27	25.4	33.3	31.75	17.3	78

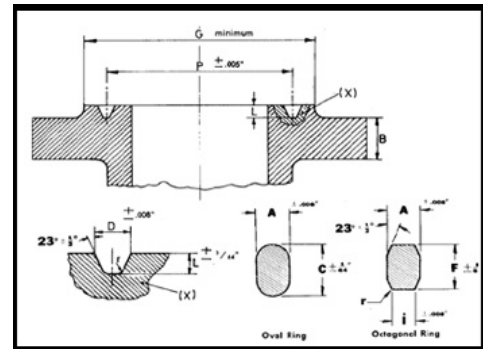
All dimensions are in mm



**1500#**

Nominal Pipe Size	raised face Ring Joint (G)	Pitch Diameter Groove (P)	Depth of Groove L	Radius at Bottom r	Width of Groove D	Width of Ring A	Height of Oval Ring C	Height of Octagonal Ring F	Width of Flat I	Ring Number R
1/2"	60.5	39.7	6.35	0.8	8.7	7.9	14.3	12.7	5.2	12
3/4"	66.5	44.5	6.35	0.8	8.7	7.9	14.3	12.7	5.2	14
1"	71.4	50.8	6.35	0.8	8.7	7.9	14.3	12.7	5.2	16
1.1/4"	81	60.3	6.35	0.8	8.7	7.9	14.3	12.7	5.2	18
1.1/2"	91.9	68.3	6.35	0.8	8.7	7.9	14.3	12.7	5.2	20
2"	124	95.3	7.9	0.8	11.9	11.1	17.5	15.88	7.7	24
2.1/2"	136.7	108	7.9	0.8	11.9	11.1	17.5	15.88	7.7	27
3"	168.1	136.5	7.9	0.8	11.9	11.1	17.5	15.88	7.7	35
4"	193.5	161.9	7.9	0.8	11.9	11.1	17.5	15.88	7.7	39
5"	228.6	193.7	7.9	0.8	11.9	11.1	17.5	15.88	7.7	44
6"	247.7	211.1	9.5	1.6	13.5	12.7	19	17.46	8.7	46
8"	317.5	269.9	11.1	1.6	16.7	15.9	22.2	20.64	10.5	50
10"	371.3	323.9	11.1	1.6	16.7	15.9	22.2	20.64	10.5	54
12"	438.2	381	14.3	1.6	23	22.2	28.6	26.99	14.8	58
14"	489	419.1	15.9	2.4	27	25.4	33.3	31.75	17.3	63
16"	546.1	469.9	17.5	2.4	30.2	28.6	36.5	34.92	19.8	67
18"	612.6	533.4	17.5	2.4	30.2	28.6	36.5	34.92	19.8	71
20"	673.1	584.2	17.5	2.4	33.3	31.7	39.7	38.1	22.3	75
24"	793.8	692.2	20.6	2.4	36.5	34.9	44.4	41.27	24.8	79

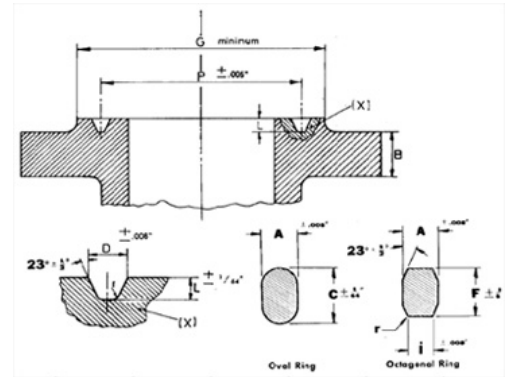
All dimensions are in mm



**2500#**

Nominal Pipe Size	raised face Ring Joint (G)	Pitch Diameter Groove (P)	Depth of Groove L	Radius at Bottom r	Width of Groove D	Width of Ring A	Height of Oval Ring C	Height of Octagonal Ring F	Width of Flat I	Ring Number R
1/2"	65	42.9	6.35	0.8	8.7	7.9	14.3	12.7	5.2	13
3/4"	73.2	50.8	6.35	0.8	8.7	7.9	14.3	12.7	5.2	16
1"	82.6	60.3	6.35	0.8	8.7	7.9	14.3	12.7	5.2	18
1.1/4"	101.6	72.2	7.9	0.8	11.9	11.1	17.5	15.88	7.7	21
1.1/2"	114.3	82.6	7.9	0.8	11.9	11.1	17.5	15.88	7.7	23
2"	133.4	101.6	7.9	0.8	11.9	11.1	17.5	15.88	7.7	26
2.1/2"	149.4	111.1	9.5	1.6	13.5	12.7	19	17.46	8.7	28
3"	168.1	127	9.5	1.6	13.5	12.7	19	17.46	8.7	32
4"	203.2	157.2	11.1	1.6	16.7	15.9	22.2	20.64	10.5	38
5"	241.3	190.5	12.7	1.6	19.8	19	25.4	23.81	12.3	42
6"	279.4	228.6	12.7	1.6	19.8	19	25.4	23.81	12.3	47
8"	339.9	279.4	14.3	1.6	23	22.2	28.6	26.99	14.8	51
10"	425.5	342.9	17.5	2.4	30.2	28.6	36.5	34.92	19.8	55
12"	495.3	406.4	17.5	2.4	33.3	31.7	39.7	38.1	22.3	60

All dimensions are in mm



\* There will may be typical error