

# Smart Pressure Transmitter



Registered No. 325327

## Type ME 71

### General Description

The type ME 71 pressure transmitter uses a capacitance type sensor and modern micro-processor technology. It is ideally suited for measuring positive and negative gage pressure in applications where a high degree of accuracy is required. It is optionally available in versions certified for use in hazardous locations.

### Features

- robust, wear resistant sensor
- high resistance to corrosion
- high degree of functionality
- excellent long term stability
- low hysteresis
- not affected by fouling of pressure chambers
- capacitance type silicon sensor
- microprocessor technology

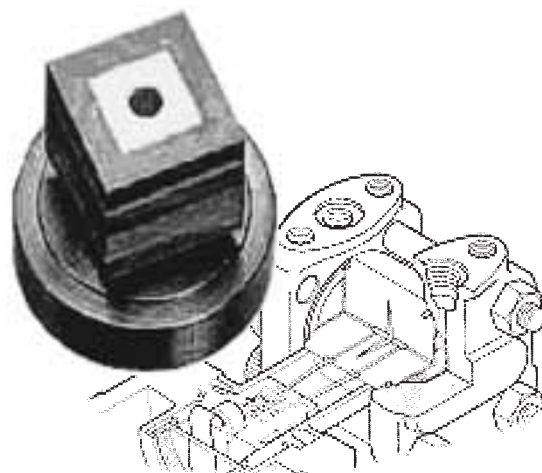
### Principles of Operation

The type ME 71 pressure transmitter uses a silicon capacitance sensor with a bridge measuring circuit, the output of which changes when the pressure changes.

Modern microprocessor technology is used to convert the bridge output to a standard 4-20 mA signal, which permits the measured value to be transmitted over long distances. A HART® interface is also available, using an optional communication module installed in the transmitter. With the HART® interface, digitally transmitted pressure measurements, as well as the transmitter's set-up data can be read very accurately by simply connecting a compatible terminal device at any point along the length of the signal output loop. Also, the terminal device can also be used to re-configure the transmitter's set-up parameters: locally, or from a remote location.



### The Measuring System



The ME 70 transmitter uses a precision silicon capacitance type pressure sensing element, which is manufactured under stringently controlled condition. This sensor is rugged, resistant to effects of fatigue and overloading, and unaffected by pressure fluctuations. The sensor and microprocessor based signal processing ensure the highest possible accuracy and stability.

## Specifications

### General

Measuring ranges \_\_\_\_\_ 0– 130 mbar to 0– 1.3 bar. Max. static pressure: 5 bar  
0– 500 mbar to 0– 5 bar. Max. static pressure: 15 bar  
0– 3 bar to 0– 30 bar. Max. static pressure: 90 bar  
0– 10 bar to 0– 100 bar. Max. static pressure: 150 bar

Linearity \_\_\_\_\_ < 0.1%  
Hysteresis \_\_\_\_\_ < 0.1%  
Temperature coefficient \_\_\_\_\_ < 0.5% / 10°K  
Operating temperature ambient \_\_\_\_\_ -10° to +70°C.  
Operating temperature media \_\_\_\_\_ 0° to +80 °C  
Protection Class \_\_\_\_\_ IP 67

### Electrical

Supply voltage \_\_\_\_\_ 24 V DC (15 – 30 V DC)  
Power consumption \_\_\_\_\_ Approx. 2 W  
Dielectric strength \_\_\_\_\_ 500 V AC  
Output signal \_\_\_\_\_ 4 – 20 mA. Optional: HART® interface, using  
communication module (option -K: see ordering code)  
Output load \_\_\_\_\_ Max. 600 Ohm (minimum 250 Ohms with communication  
module installed)  
Output current limit \_\_\_\_\_ 25 mA

Built-in display (optional) \_\_\_\_\_ Analog display with 0-100% scale  
Digital display (only with communication Module  
option -K installed)

### Connections

Electrical connections \_\_\_\_\_ Internal terminal block  
Pressure connection \_\_\_\_\_ 1/2" NPT(F) threaded socket

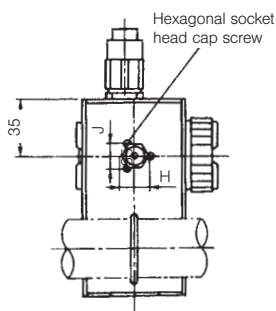
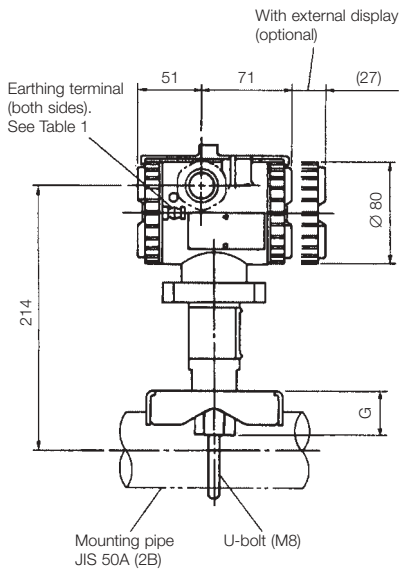
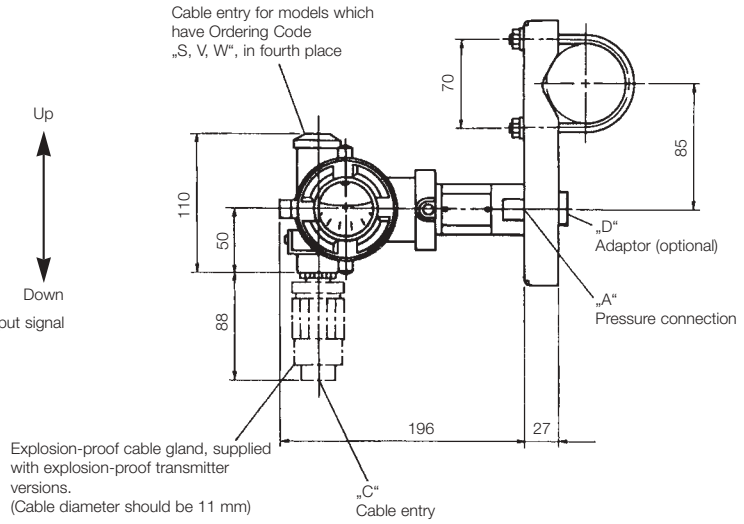
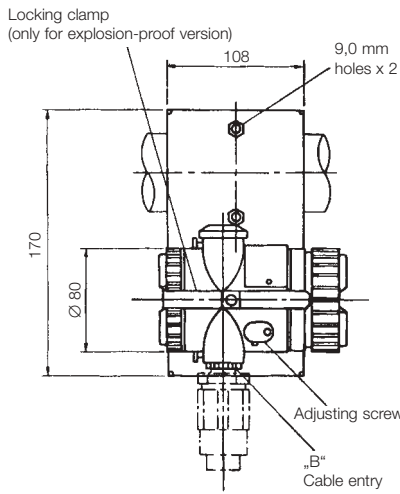
### Materials

Parts in contact with media \_\_\_\_\_ Stainless steel 316 L (1.4404)  
Seals \_\_\_\_\_ Viton. optional: teflon  
Electronics housing \_\_\_\_\_ Aluminium (surface coated)

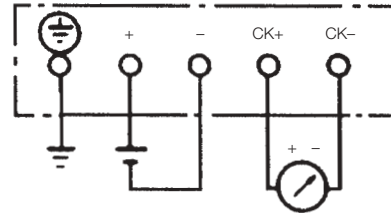
CE marking \_\_\_\_\_ The ME 71 transmitter carries the CE mark,  
and complies with EMV specifications  
EN 50082–1 and EN 50082–2

---

**Dimensional Drawings**



**Electrical connections**



## Ordering Code

Type ME 71  **V**         **O** **Y** **O**

### Communication Module

Without communications module .....▷ H  
With communications module .....▷ K

**Electrical connection:** PG 13.5

### Range

0- 130 mbar to ... 1.3 bar .....▷ 1 V  
0- 0.5 bar to ... 5 bar .....▷ 2 V  
0- 3 bar to ... 30 bar .....▷ 3 V  
0- 10 bar to ... 100 bar .....▷ 4 V

### Display

Without display .....▷ A  
With analog display scale 0-100% .....▷ B  
With digital display (only with option -K installed) .....▷ L

### Hazardous location approval

Not approved for hazardous locations .....▷ A  
Intrinsically safe per E Ex i a II C T4/T5 .....▷ K  
Explosion-proof per Ex d II C T5/T6 .....▷ X

### Mounting bracket kit

Without mounting bracket kit .....▷ A  
With mounting bracket kit (stainless steel) .....▷ C

### Instrument tag plate

Without tag plate .....▷ Y  
Stainless tag plate with customer application data .....▷ B

### Sensor filling liquid

Silicone oil .....▷ Y  
Fluorinated oil for oxygen service .....▷ A

**Pressure connection:** 1/4 NPT inside 7/16.UNF

*Simplifying Technology*

*Redefining Value...*



## OASIS INSTRUMENTS CO.

### Overseas Sales:

39 Ripon Street,  
Kolkata – 700016  
West Bengal, India  
Telefax: +91-33-22293964

### Domestic Sales:

2-2-103 to 108 Ranigunj  
Ganesh Chamber, 2nd Floor  
Secunderabad - 500 003  
Andhra Pradesh, India  
Telefax: +91-40-40025290

E-mail : [oasis\\_instruments@yahoo.co.in](mailto:oasis_instruments@yahoo.co.in), [info@oasisinstruments.com](mailto:info@oasisinstruments.com)

Url: [www.oasisinstruments.com](http://www.oasisinstruments.com)